

Telairity Analog Input Option

All Telairity Broadcast Encoders feature digital SDI input as a standard feature, together with connectors for both digital (AES) and analog (L/R stereo) audio input. SD encoders, both single- and multi-channel, can be ordered with an optional analog (composite) video input module (in addition to SDI). In single-channel systems, the transcoder module and the composite video module occupy the same board slot, so only one of these two optional modules can be used at a time.

Affected Models

- **BE7110** standard-compression SD, **BE7400** 2/4 channel SD system; **BE9110** high-compression SD, **BE9400** configurations with SD channels (-2SD, -1HD2SD, -4SD)
- **BM6110** includes transcoder module standard but can instead optionally include the composite video input module
- **BE8500** can include either the transcoder or composite video modules
- HD-only 8000 series systems (BE8110, BC8110) do not support composite input

Telairity Optional Modules Illustrated

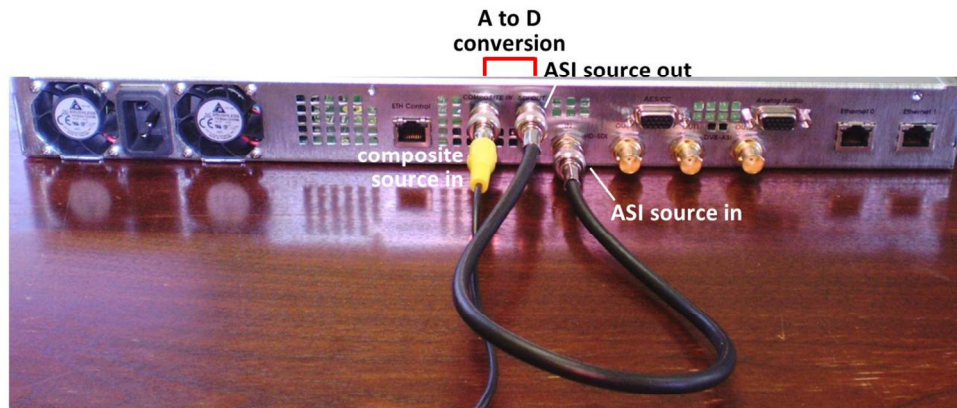
The Telairity decoder module occupies the same board slot as the composite video input module illustrated here, but offers the choice of SDI, ASI, or IP input (in place of the composite video input shown). Rather than A to D conversion, the decoder module does baseband conversion of encoded MPEG-2 (etc.) input. However, just as illustrated here, the decoder module generates SDI output which is cabled to the unit's SDI input for transcoding.

Optional Composite Input Module



Standard SDI Input

BA System Configured for Composite Input



RCA to BNC connector